



800-477-7883
buysuperstud.com

New Jersey Facility
2960 Woodbridge Avenue
Edison, NJ 08837-3406
P: 732-662-6200
technical@buysuperstud.com

Mississippi Facility
53 W. L. Runnels Industrial Drive
Hattiesburg, MS 39401-8320
P: 601-584-7550
sales@superstudsouth.com

Aluminum Breakaway Clip (ABC250 & ABC450 Clips) for Area Separation Wall (ASW) Assemblies

Product category: Nonstructural Area Separation Walls (*typ. specification section 09 22 16*)

Material: Aluminum 3003-H14

ABC250 Thickness: 0.050" (min) 0.052" (design)

ABC450 Thickness: 0.060" (min) 0.063" (design)

Temperature Range: Heat Softenable at 1000° F

Hole Size: 5/32" (4mm)

Yield Strength: 21 KSI

Tensile Strength: 22 KSI

Aluminum Breakaway Clip Product Description:

Super Stud clips are the most common configuration for Area Separation Wall assemblies. Clips are made of construction grade aluminum sheet, with pre-drilled holes in both flanges. Holes are 5/32" diameter (0.156" or 4 mm) and placed as shown in diagrams.

Use & Installation Instructions:

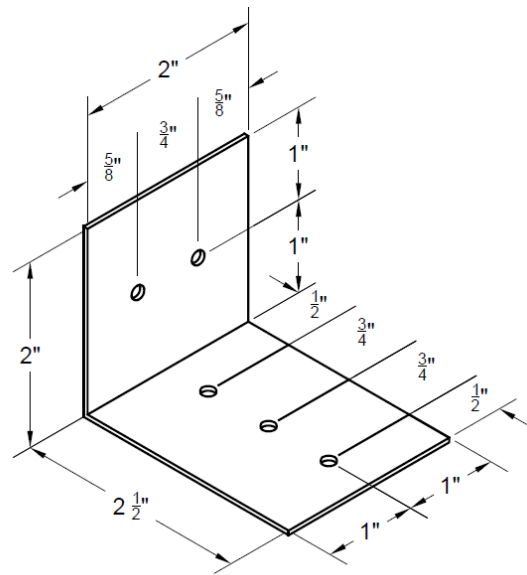
IMPORTANT: For a detailed description of clip requirements and wall construction, please consult the appropriate Underwriters Laboratories (UL) design or gypsum company requirements for Area Separation Walls.

Aluminum breakaway clips are used on both sides of area separation walls, for support by the adjacent structure. Clips are designed so that when a fire occurs, the clips on the fire side of the wall will melt, allowing the burned structure to fall away without dragging down the protective area separation wall. This maintains protection of the adjacent building, no matter which side of the wall is exposed to fire.

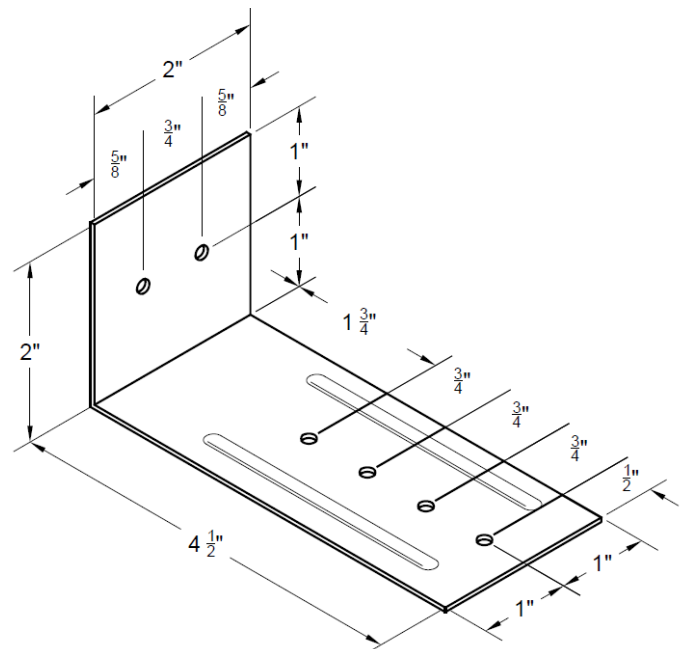
Sustainability

For LEED letters contact Technical Services at technical@buysuperstud.com or visit <https://www.buysuperstud.com/specs-resources/sustainability-and-green-building>

ABC250 – 2-1/2"
ALUMINUM BREAKAWAY CLIP



ABC450 – 4-1/2"
ALUMINUM BREAKAWAY CLIP





800-477-7883
buysuperstud.com

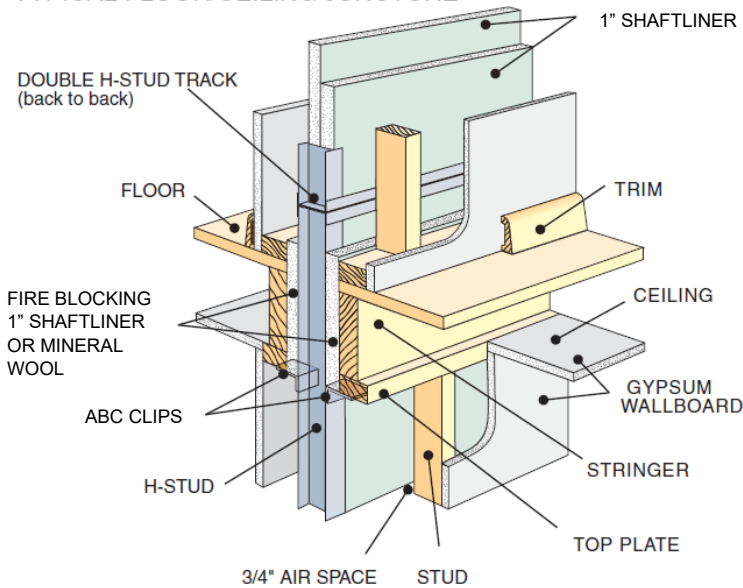
New Jersey Facility
2960 Woodbridge Avenue
Edison, NJ 08837-3406
P: 732-662-6200
technical@buysuperstud.com

Mississippi Facility
53 W. L. Runnels Industrial Drive
Hattiesburg, MS 39401-8320
P: 601-584-7550
sales@superstudsouth.com

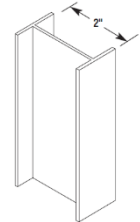
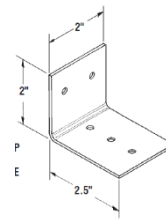
INSTALLATION:

1. Once the first level of wall is installed with double liner panels, H-studs, and C-runners, attach all H-studs and vertical C-runners to adjacent framing with aluminum breakaway clips.
2. Clips attaching H-studs and vertical C-runners to adjacent framing on both sides require attachment to the H-stud and C-runner with one 3/8" Type S screw.
3. Clips attaching H-studs and vertical C-runners to adjacent framing on only one side and with exterior exposure on the other side require attachment to the H-stud and C-runner with two 3/8" Type S screws.
4. Attachment to the adjacent framing is with one 1-1/4" Type W or Type S screw.
5. Wall heights are dictated by the specific fire-rated assembly.
6. At least one clip is required at each floor line at each vertical steel element of the area separation wall.

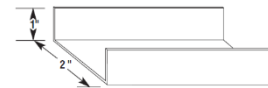
TYPICAL FLOOR/CEILING JUNCTURE



Super Stud ABC250



Super Stud H-Stud



Super Stud C-Runner

Codes & Standards:

Super Stud Aluminum Breakaway Clips comply with the applicable provisions of the following:
 International Building Code (IBC) 2006 - 2018
 Sheet Aluminum: Aluminum Association (AA) 3003-H14
 UNS A93003, ISO AlMn1Cu
 Members & Tolerances: ASTM C645
 Meets ASTM C1007 when installed properly in structure
 UL Designs U336, U347, U366, U373, U375, U388, V411 W453 and W454
 Gypsum Association 3-hour design ASW 2600



CFSEI
COLD-FORMED STEEL
ENGINEERS INSTITUTE

Member of



Sustainability

For LEED letters contact Technical Services at technical@buysuperstud.com or visit <https://www.buysuperstud.com/specs-resources/sustainability-and-green-building>